



# ANDY DEVINE DAYS RODEO

## QUEEN AND TEEN QUEEN PAGEANT

### ITINERARY

Welcome Contestants !!

The following is the itinerary for our pageant.

We're so excited to have you be a part of our exciting pageant and rodeo!! If you haven't already, you need to study, study, study!! Knowledge of the sport of rodeo, equine terminology, current events and local town information is very important. In order to have a pageant, prizes, travel expenses, etc you will be asked to bring in a minimum of \$700.00 in cash donations and at least \$150 in combined gift certificates (restaurant/store) for our Rodeo Party Auction item, "The Taste of Kingman". There will be a prize given to the young lady that brings in the most donations!! You will receive a sponsor letter to take with you as you visit different businesses/individuals of your choice. You are encouraged to be dressed in your favorite rodeo queen attire, hat, contestant sash, belt and boots. Businesses love to see this and will be more willing to donate if you look and act professional. A small conversation is all you need to have with them while having your letter as well. If you have ANY questions on this please don't hesitate to contact one of us listed below.

### Horsemanship and Speech Practices.

(optional, not required but highly recommended.)

DATES/TIMES-

WEDNESDAYS: February 28 & March 20th @530pm

SATURDAY: March 9th @ 1pm

PLACE: Driftwood Acres, 3550 Hodges Rd, Kingman, Az 86409

This is the time to bring your horses if you wish and/or your questions. We will practice for both horsemanship, flag run & "Getting Acquainted" as well as answer any questions you may have.



# ANDY DEVINE DAYS RODEO

## QUEEN AND TEEN QUEEN PAGEANT

\*\*\*\*\*PAGEANT DAY!!! - SATURDAY, MARCH 23rd \*\*\*\*\*

### HORSEMANSHIP COMPETITION

TIME: 8:30 AM Sharp!

PLACE: Mohave County Fairgrounds, Anderson Ford Arena

BE THERE TO PLENTY OF TIME TO GET YOU AND YOUR HORSE READY !!!

You will be judged on your appearance, cleanliness, horsemanship pattern, hot lap, flag run and a short interview.

ATTIRE: Long-sleeved button up white shirt, blue denim wranglers, boots, belt, cowboy hat.

### GETTING ACQUAINTED

TIME: 12:00 PM, doors open/ judging begins. Out @ 4PM

PLACE: The Powerhouse Visitor Center, 120 W Andy Devine Ave., Kingman, AZ  
Light snacks and drinks will be served.

*Introductions/Media Interviews* will be judged on appearance, personality, enunciation, grammar, eye contact and presentation.

\*\*\*\*Brief Modeling as a personal wardrobe card is read. Type a wardrobe card consisting of a few sentences about what you are wearing.

\*\*\*\*Personal Introduction Subject: Autobiographical

\*\*\*\*Queen and Teen Queen: Your introductions should be no longer than 3 minutes

*Personal Interviews* will consist of questions related to rodeo, equine science, current events and life ambitions.

*The Written Test* will consist of questions related to rodeo, equine science, current events, and local town information.

ATTIRE: Please wear a fashion forward style western dress/skirt, dress boots, cowboy hat. Keep make-up age appropriate. \*\*Dresses and Skirts are to be NO MORE than 3in. above the knee. Sleeves should be long or  $\frac{3}{4}$  length.



# ANDY DEVINE DAYS RODEO

## QUEEN AND TEEN QUEEN PAGEANT

\*Friends ARE NOT recommended! NO BOYFRIENDS!!

\*Each Contestant is allowed to bring 2 guests. There will be a charge for additional guests but space is limited. Please contact one of us below to check for additional guest space.

### \*\*\*\*\*RODEO WEEKEND SCHEDULE\*\*\*\*\*

#### FRIDAY - APRIL 12th

RODEO PARTY, SEMI-FORMAL

TIME: 5:30 P.M. - 8:30 P.M.

PLACE: TBD

ATTIRE: Please wear appropriate western dress. Keep make-up age appropriate.

Be prepared to assist with the live auction and 50/50 ticket sales. Tasks include selling raffle tickets modeling, retrieving winners names and handing out claims tickets

Each contestant is allowed to bring 2 guests ONLY !!!

### \*\*\*\*\*RODEO TIME\*\*\*\*\*

#### SATURDAY - APRIL 13th

RODEO PERFORMANCE

TIME: 2:00 PM RODEO BEGINS. GATES OPEN AT 12pm

PLACE: Mohave County Fairgrounds – Main Arena

**BE THERE IN PLENTY OF TIME TO GET READY. WE WILL ALL MEET AT THE WHITE ANDY DEVINE DAYS TRAILER AT 1:00 PM.**

ATTIRE: Long-sleeved western shirt, boots, belt, hat and sash. Theme is RED, WHITE, and BLUE



# ANDY DEVINE DAYS RODEO

## QUEEN AND TEEN QUEEN PAGEANT

You will be in the Grand Entry and be introduced individually to do your hot lap!  
SMILE!!

**SUNDAY - APRIL 14th**

**RODEO PERFORMANCE**

**TIME: 2:00 PM RODEO BEGINS. GATES OPEN AT 12**

**PLACE: Mohave County Fairgrounds – Main Arena**

**BE THERE IN PLENTY OF TIME TO GET READY. WE WILL ALL MEET AT THE  
WHITE ANDY DEVINE DAYS TRAILER AT 1:00.**

**ATTIRE: Long-sleeved western shirt, boots, belt, hat and sash. Theme is Tough  
Enough to Wear Pink**

You will be in the Grand Entry, be introduced individually to do your hot lap and  
the new Queen and Teen Queen will be crowned.

### **Andy Devine Pro Rodeo Pageant Committee**

Please call or text if you have any questions.

Pageant Director: Tiffany Leo Home: 715-9800 Cell: 715-5920 [tiffleo220@gmail.com](mailto:tiffleo220@gmail.com)

Coordinator: Nikki Anderson 480-215-6097 [superflyniki@gmail.com](mailto:superflyniki@gmail.com)

Co-Coordinator: Mea Strickland 541-981-1179 [stricklml7@yahoo.com](mailto:stricklml7@yahoo.com)



# ANDY DEVINE DAYS RODEO

## QUEEN AND TEEN QUEEN PAGEANT

### Wardrobe Guidelines

Contestants shall wear western attire at all times during any portion of the entire competition, required rodeos and public appearances. (Western pants, belt, hat, skirt, dress, etc.) Clothing should fit well. All outfits can be coordinated with proper accessories.

If you have ANY questions about your western attire don't hesitate to ask the Andy Devine Days Pageant Committee.

#### Horsemanship Competition

White long-sleeve solid western style fitted shirt, blue denim wranglers, coordinating hat, belt, and riding boots (no "dirt kickers"). ALL TACK AND CONTESTANT ATTIRE MUST BE CLEAN. \*\*\**Dirt Kickers: Boots coated in dirt, horse feces, mud, etc.*

#### Getting Acquainted & Interview Competition

Fashion Forward Short Western style dress or shirt & skirt combination, matching belt and boots, and coordinating hat. Vests and Jackets are permitted. Dress boots required. No riding boots or "dirt kickers". \*\*\*Dresses and Skirts can be NO MORE than 3in. above the knee! Sleeves should be long or  $\frac{3}{4}$  inches in length.

### Overall Western Apparel Regulations

**SHIRTS:** Long-sleeve button down shirts only. No cleavage or braless. Shirts should be fitted, not baggy or loose.

**PANTS:** Western only, wranglers preferred. Length should be long enough to stack on your boot to be long enough while riding. Should fit well, not baggy or loose. No chaps. Pressed and/or starched preferred.



# ANDY DEVINE DAYS RODEO

## QUEEN AND TEEN QUEEN PAGEANT

**BOOTS:** Western style only; no fashion heels. Should match or coordinate with belt color. Western dress boots should be worn with dress or skirt. **NO LACE-UP BOOTS.**

**HAT:** No straw hats. Hats must be worn at all times and secured so as not to fall off while riding fast. **NO CROWNS, EMBELLISHED HATBANDS, OR RHINESTONE ACCENTS.**

\*TIP: A good rule of thumb – light colored shirt = light colored hat, dark or black colored shirt = dark colored hat. *\*\*The rodeo queen golden rule is: "If you lose your hat, your head better be in it"\*\**

**BELT:** Matching and coordinated with outfit.

\*TIP: Belts and boots should match, though not required. Belts worn for horsemanship should be plain as to not attract unwanted attention to your middle while riding. **NO RHINESTONES, STUDS, ETC.**

**VEST:** Not to be worn for horsemanship. Permitted during Getting Acquainted, but not required. If worn must come down to waist.

**JACKETS:** Not to be worn for horsemanship. Permitted during Getting Acquainted, but not required. Sleeves should be long or  $\frac{3}{4}$  inches.

**DRESS/SKIRT:** Fashion forward dresses/skirts need to be no more than 3 inches above the knee.

**SASH:** Must be worn as instructed by the pageant director.

**JEWELRY:** Should match and compliment the outfit and environment.

# ANDY DEVINE DAYS RODEO

## QUEEN AND TEEN QUEEN PAGEANT

### Horsemanship Examples



### Fashion Forward Examples

\*\*\*\*You can wear leather if you choose BUT it is **NOT** required!!!!!!



^ LEATHER ^



^ NOT LEATHER ^



^ NOT LEATHER ^



# ANDY DEVINE DAYS RODEO

## QUEEN AND TEEN QUEEN PAGEANT

Several stores here in Mohave County sell dresses, skirts, jackets, etc. that would be appropriate for the fashion forward outfit. They **DO NOT** have to be purchased from a prior queen or queen dress designer. Here is a list of a few stores to try:

Kingman – Ross, Walmart, Maurices, Stockton Hill Feed, Boot Barn, Tractor Supply, Cal Ranch, Goodwill, ect

Bullhead/Laughlin – Walmart, Department Stores, Boot Barn, Target, Kohl's, Ross, etc.

Lake Havasu – Walmart, Department Stores, Dillard's, etc.

**\*\*\*DO NOT SPEND A FORTUNE ON CLOTHES\*\*\***

Be creative and have fun with it! It is your time to shine!

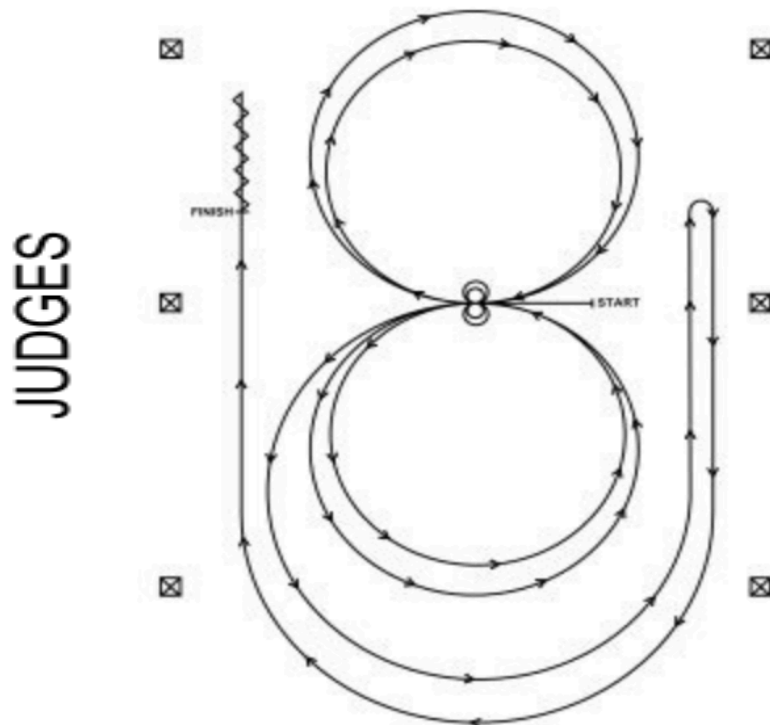
Don't be afraid to ask questions. We are here to help!



# ANDY DEVINE DAYS RODEO

## QUEEN AND TEEN QUEEN PAGEANT

### 2024 HORSEMANSHIP PATTERN



Horses may walk or trot to the center of the arena. Horses must walk or stop prior to starting the pattern. Beginning at the center of the arena facing the judges.

1. Beginning on the left lead, complete one fast circle to the left then one slower circle to the left. Stop at the center of the arena. Hesitate.
2. Complete 2 spins to the left. Hesitate.
3. Beginning on the right lead, complete one fast circle to the right, then one slower circle to the right. Stop at the center of the arena. Hesitate.
4. Complete 2 spins to the right. Hesitate.
5. Beginning on the left lead, go around the end of the arena, run down the right side of the arena past the center marker, stop and roll back right (into the fence).
6. Continue around the end of the arena to run down the left side of the arena past the center marker. Stop. Back up.
7. Walk towards the judges and dismount.